



## UMS050 - Lincat Seal Counter-top Upright Heated Merchandiser with Oven - Static Rack - Single Door - W 562 mm - 2.8 kW

Entice your customers with tempting displays of pizza, pies and pastries with the Seal Upright Heated Merchandiser with Oven.

- ✔ Combination model with oven and merchandiser in one convenient counter-top unit
- ✔ Square static chrome plated rack for attractive appearance and ease of cleaning
- ✔ Minimum food holding temperature of 72°C
- ✔ Humidity feature keeps food in perfect condition for longer, minimising waste
- ✔ Thermostatic control up to 95°C
- ✔ Suitable for back-service applications

### Specifications

#### Summary

<b>Brand</b>	Lincat
<b>Range</b>	Seal
<b>Power Type</b>	Electric
<b>Unit Type</b>	Counter-top
<b>Available in UK Only</b>	No
<b>UK Warranty</b>	2 Years Parts and Labour Warranty
<b>Export Warranty</b>	Contact your local dealer
<b>GTIN</b>	5056105104490

#### Power and Performance

<b>Total Power kW</b>	2.80
<b>Temperature Range °C</b>	50-250
<b>IP Rating</b>	IP33
<b>Temperature Control</b>	Mechanical
<b>Oven Rating kW</b>	1.4

#### Key Specifications

<b>Number of Shelves included</b>	3
<b>Number of Shelf Positions</b>	3
<b>Service Type</b>	Back service
<b>Rack Type</b>	Static
<b>Type of Lighting</b>	Fluorescent
<b>Heated Base</b>	Yes

#### Weights and Dimensions

<b>Unit Height (External) mm</b>	925
<b>Unit Width (External) mm</b>	562
<b>Unit Depth (External) mm</b>	562
<b>Height (Internal) mm</b>	370 Display; 136 Oven
<b>Width (Internal) mm</b>	554 Display; 400 Oven
<b>Depth (Internal) mm</b>	554 Display; 394 Oven
<b>Shelf Dimensions Width mm</b>	3 x 420 Display; 388 Oven
<b>Shelf Dimensions Depth mm</b>	3 x 446 Display; 394 Oven
<b>Net Weight Kg</b>	62.1

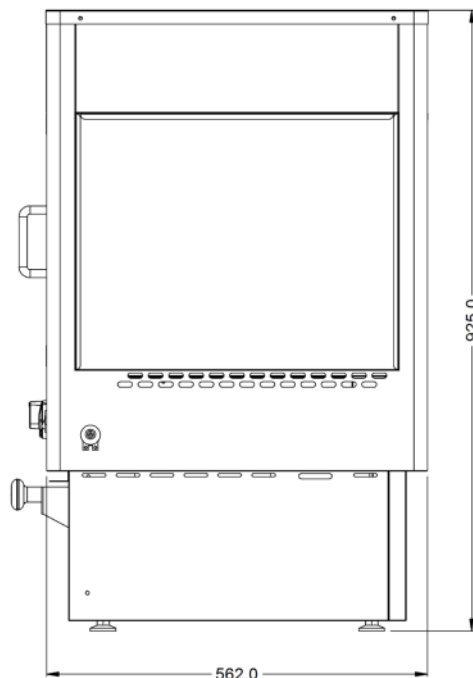
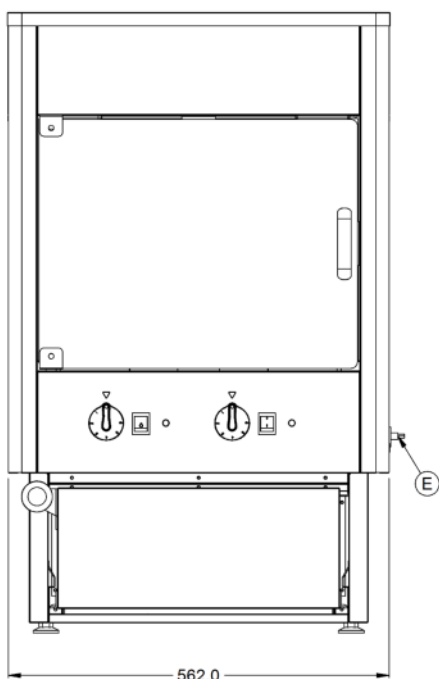
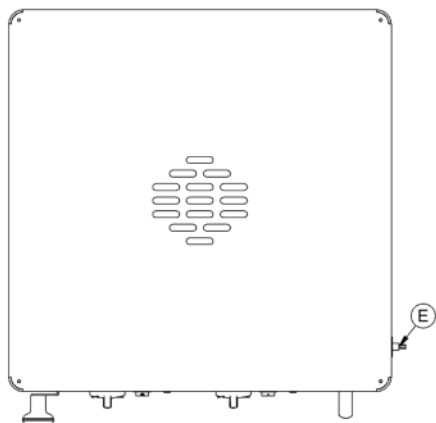
#### Supply Connections

<b>Requires Installation</b>	No
<b>UK 3 Pin Plug</b>	Yes
<b>Requires Hardwiring</b>	No
<b>Electrical Supply Rating Watts</b>	2,800
<b>Single Phase Amps</b>	12.2
<b>Single Phase Voltage</b>	230

#### Shipping

<b>Packed Weight Kg</b>	68.31
<b>Packed Height cm</b>	110
<b>Packed Width cm</b>	69.5
<b>Packed Depth cm</b>	66.5

Technical Picture



**Lincat Limited**

Whisby Road,  
Lincoln, LN6 3QZ,  
United Kingdom

**Company No:** 2175448

A member company of



**Customer Care**

**Tel:** +44 1522 875500  
**Email:** care@lincat.co.uk

**Export Customers**

**Tel:** +44 1522 875536  
**Email:** export@lincat.co.uk

**Opening Hours**

**Monday – Friday:**  
8.30am – 5pm