



UM050D - Lincat Seal Counter-top Upright Heated Merchandiser with Oven - Rotating Rack - Two doors - W 562 mm - 2.8 kW

Entice your customers with tempting displays of pizza, pies and pastries with the Seal Upright Heated Merchandiser with Oven.

- ✔ Combination model with oven and merchandiser in one convenient counter-top unit
- ✔ Square static chrome plated rack for attractive appearance and ease of cleaning
- ✔ Minimum food holding temperature of 72°C
- ✔ Humidity feature keeps food in perfect condition for longer, minimising waste
- ✔ Thermostatic control up to 95°C
- ✔ Suitable for back-service applications

Specifications

Summary

Brand	Lincat
Range	Seal
Power Type	Electric
Unit Type	Counter-top
Available in UK Only	No
UK Warranty	2 Years Parts and Labour Warranty
Export Warranty	Contact your local dealer
GTIN	5056105104469

Power and Performance

Total Power kW	2.80
Temperature Range °C	50-250
IP Rating	IP33
Temperature Control	Mechanical
Oven Rating kW	1.4

Key Specifications

Number of Shelves included	3
Number of Shelf Positions	3
Service Type	Front service
Rack Type	Rotating
Type of Lighting	Fluorescent
Heated Base	Yes

Weights and Dimensions

Unit Height (External) mm	925
Unit Width (External) mm	562
Unit Depth (External) mm	562
Height (Internal) mm	370 Display; 136 Oven
Width (Internal) mm	554 Display; 400 Oven
Depth (Internal) mm	554 Display; 394 Oven
Shelf Dimensions Width mm	3 x 370 Display; 388 Oven
Shelf Dimensions Depth mm	394 Oven
Net Weight Kg	56

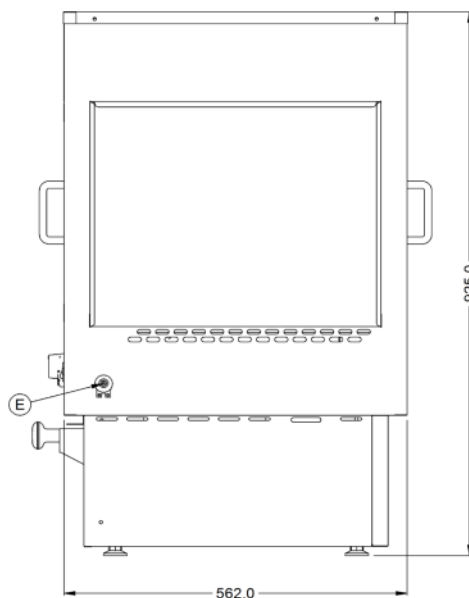
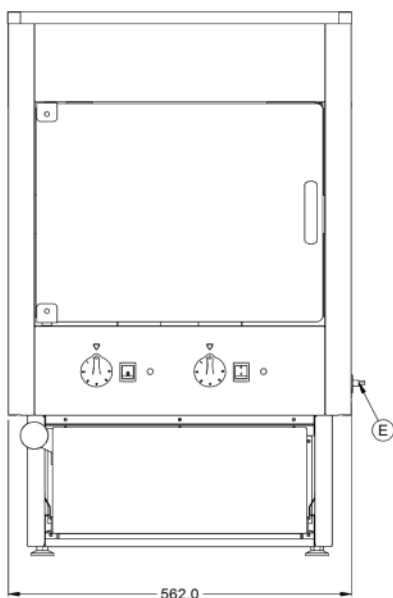
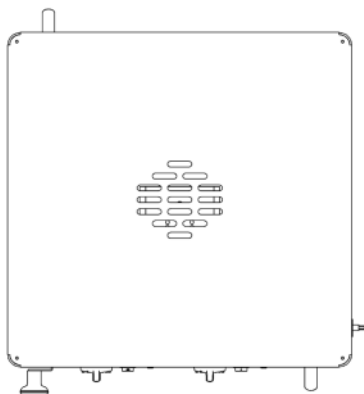
Supply Connections

Requires Installation	No
UK 3 Pin Plug	Yes
Requires Hardwiring	No
Electrical Supply Rating Watts	2,800
Single Phase Amps	12.2
Single Phase Voltage	230

Shipping

Packed Weight Kg	61.6
Packed Height cm	110
Packed Width cm	69.5
Packed Depth cm	66.5

Technical Picture



Lincat Limited

Whisby Road,
Lincoln, LN6 3QZ,
United Kingdom

Company No: 2175448

A member company of



Customer Care

Tel: +44 1522 875500
Email: care@lincat.co.uk

Export Customers

Tel: +44 1522 875536
Email: export@lincat.co.uk

Opening Hours

Monday – Friday:
8.30am – 5pm