



## PHER01 - Phoenix Electric Free-standing Induction Oven Range - W 900 mm - 17.1 kW [3- Phase]

With six 1.85kW induction zones and a six GN1/1 large capacity oven, the Phoenix Electric Induction Oven is all about flexibility.

- ✓ Six 1.85kW zones. When you need intense heat to get you cooking fast zones can be boosted to 3kW
- ✓ Large 6 x GN1/1 capacity twin fan assisted oven enabling six different foods to be cooked simultaneously
- ✓ Incredible efficiency, automatically cutting power when no pan is present, reducing running costs and providing a more comfortable kitchen environment
- ✓ Easy to clean, heavy duty 6mm thick high impact resistant glass ceramic surface
- ✓ Highly insulated oven reducing heat loss and ensuring a more consistent temperature

### Specifications

#### Summary

<b>Range Name</b>	Phoenix
<b>Power Type</b>	Electric
<b>Unit Type</b>	Free-standing
<b>Available in UK Only</b>	No
<b>UK Warranty</b>	2 Years Parts and Labour Warranty
<b>Export Warranty</b>	Contact your local dealer
<b>GTIN Code</b>	5056105116400

#### Power and Performance

<b>Gastronorm Capacity</b>	6 x GN1/1
<b>Total Power kW</b>	17.1
<b>Temperature Range °C</b>	50 - 250
<b>IP Rating</b>	IP24
<b>Cooking Area (Width x Depth) mm</b>	190 dia. x 6
<b>Temperature Control</b>	Mechanical
<b>Rating per Hob kW</b>	1.85
<b>Oven Rating kW</b>	6.0

#### Key Specifications

<b>Number of Shelves included</b>	2
<b>Number of Shelf Positions</b>	4
<b>Number of Hobs</b>	6
<b>Shape of Hob</b>	Round

#### Weights and Dimensions

<b>Unit Height (External) mm</b>	923
<b>Unit Width (External) mm</b>	900
<b>Unit Depth (External) mm</b>	817
<b>Height (Internal) mm</b>	410
<b>Width (Internal) mm</b>	725
<b>Depth (Internal) mm</b>	512
<b>Shelf Dimensions Width mm</b>	706
<b>Shelf Dimensions Depth mm</b>	512
<b>Hob Dimensions mm</b>	190mmØ
<b>Net Weight Kg</b>	125

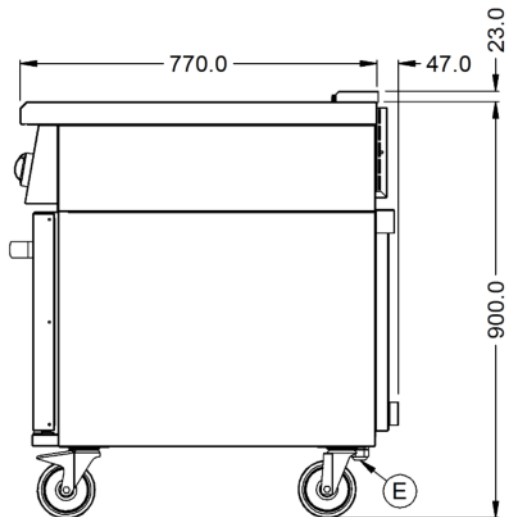
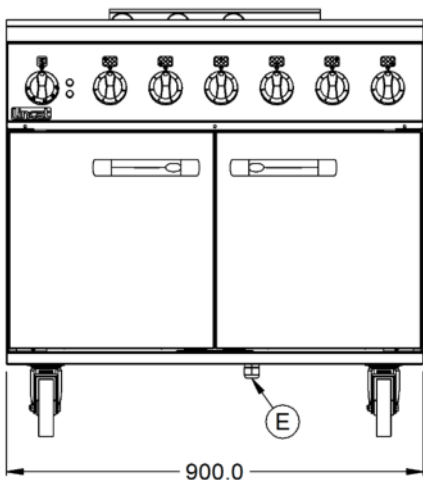
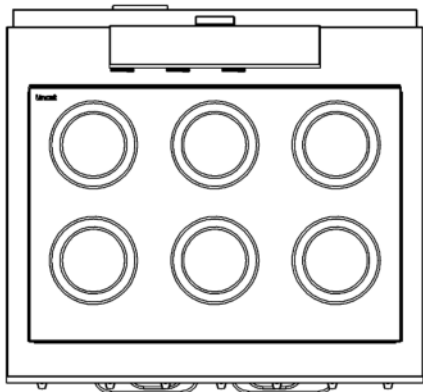
#### Supply Connections

<b>Requires Installation</b>	Yes
<b>Requires Electrical Supply</b>	Yes
<b>UK 3 Pin Plug</b>	No
<b>Requires Hardwiring</b>	Yes
<b>Electrical Supply Rating Watts</b>	17,100
<b>Three Phase Amps</b>	L1=25.0 ; L2=25.0 ; L3=25.0
<b>Three Phase Voltage</b>	400

#### Shipping

<b>Packed Weight Kg</b>	145
<b>Packed Height cm</b>	104
<b>Packed Width cm</b>	100
<b>Packed Depth cm</b>	85

Technical Picture



**Lincat Limited**

Whisby Road,  
Lincoln, LN6 3QZ,  
United Kingdom

**Company No:** 2175448

A member company of



**Customer Care**

**Tel:** +44 1522 875500  
**Email:** care@lincat.co.uk

**Export Customers**

**Tel:** +44 1522 503250  
**Email:** export@lincat.co.uk

**Opening Hours**

**Monday – Friday:**  
8.30am – 5pm