



## OD8006/P - Lincat Opus 800 Dual Fuel [Propane Gas] Free-standing Oven Range - 4 Burners - W 600 mm - 26.8 kW

This powerful Opus 800 dual fuel oven is built to deliver high volumes of top quality food and will withstand the rigours of even the busiest kitchen.

- ✓ Powerful 7.5kW dual concentric Burners for focused heat distribution from a fast boil to a low simmer
- ✓ Individual heavy-duty single cast iron supports, built to withstand the rigours of the busiest kitchen
- ✓ Low flue to allow use of the complete hob top
- ✓ Powerful 4kW fan assisted oven for even cooking results
- ✓ Large 3 x GN1/1 capacity oven enabling three different foods to be cooked simultaneously
- ✓ Dual Fuel Oven Ranges

### Specifications

#### Summary

<b>Brand</b>	Lincat
<b>Range</b>	Opus 800
<b>Power Type</b>	Dual Fuel
<b>Gas Type</b>	Propane Gas
<b>Unit Type</b>	Free-standing
<b>Available in UK Only</b>	No
<b>UK Warranty</b>	2 Years Parts and Labour Warranty
<b>Export Warranty</b>	Contact your local dealer
<b>GTIN</b>	5056105102311

#### Power and Performance

<b>BTU per Hour</b>	91,441
<b>Total Power kW</b>	26.8
<b>Temperature Range °C</b>	120-280
<b>IP Rating</b>	IP24
<b>Temperature Control</b>	Mechanical
<b>Rating per Hob kW</b>	6.7
<b>Oven Rating kW</b>	4.0

#### Key Specifications

<b>Number of Shelves included</b>	3
<b>Number of Shelf Positions</b>	5
<b>Number of Hobs</b>	4
<b>Shape of Hob</b>	Square

#### Capacity

<b>Gastronorm Capacity</b>	3 x GN1/1
----------------------------	-----------

#### Weights and Dimensions

<b>Unit Height (External) mm</b>	912
<b>Unit Width (External) mm</b>	600
<b>Unit Depth (External) mm</b>	800
<b>Height (Internal) mm</b>	410
<b>Width (Internal) mm</b>	525
<b>Depth (Internal) mm</b>	530
<b>Shelf Dimensions Width mm</b>	510
<b>Shelf Dimensions Depth mm</b>	530
<b>Hob Dimensions mm</b>	300 x 300
<b>Net Weight Kg</b>	155

#### Supply Connections

<b>Requires Installation</b>	Yes
<b>Requires Electrical Supply</b>	Yes
<b>UK 3 Pin Plug</b>	No
<b>Requires Hardwiring</b>	Yes
<b>Electrical Supply Rating Watts</b>	4,032
<b>Single Phase Amps</b>	17.8
<b>Single Phase Voltage</b>	230
<b>Three Phase Amps</b>	L1=8.7; L2=8.7; L3=N/A
<b>Three Phase Voltage</b>	400
<b>Gas Connection BSP</b>	1/2"
<b>Gas Consumption at full rate Propane m³ per Hour</b>	1.92
<b>Gas Pressure Propane mbar</b>	37
<b>Total heat input at full rate Propane kW</b>	26.8
<b>Total heat input at full rate Propane BTU per hour</b>	91,445

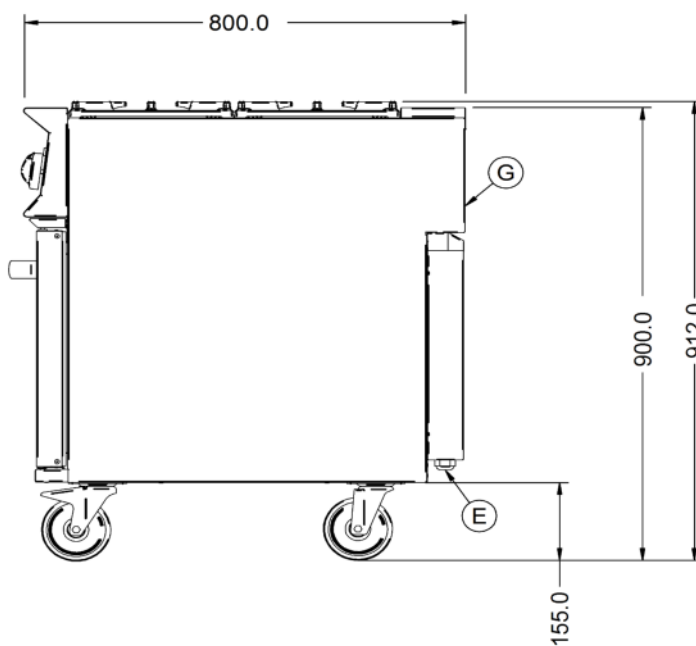
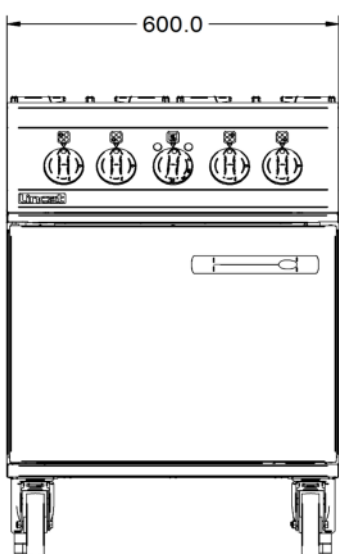
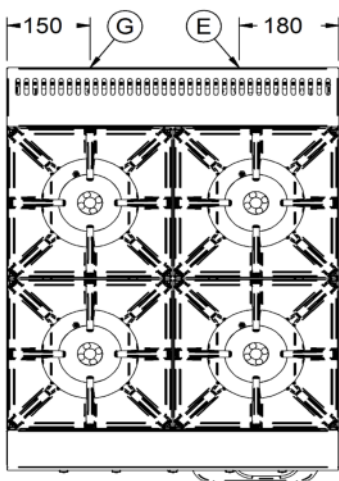
**Shipping**

Packed Weight Kg	167
Packed Height cm	105
Packed Width cm	70
Packed Depth cm	85

**Available Accessories**

<b>CH01</b>	CATERFLEX HOSE 1/2" 1 METRE
<b>CH02</b>	CATERFLEX HOSE 1/2" 1.5 METRE
<b>LK06</b>	OPUS 800 LEG KIT
<b>OA8984</b>	SPLASHBACK/SHELF - OD8006

**Technical Picture**





**Lincat Limited**

Whisby Road,  
Lincoln, LN6 3QZ,  
United Kingdom

**Company No:** 2175448

A member company of



**Customer Care**

**Tel:** +44 1522 875500  
**Email:** care@lincat.co.uk

**Export Customers**

**Tel:** +44 1522 503250  
**Email:** export@lincat.co.uk

**Opening Hours**

**Monday – Friday:**  
8.30am – 5pm