



## HCL9 - Lincat Silverlink 600 Free-standing Heated Pedestal with Legs and Doors - W 900 mm - 1.0 kW

Designed to suite with other products in the Silverlink 600 range, the Heated Pedestal (top and legs) features an on/off switch and thermostatic control, making it ideal as a plate warmer.

- ✔ Designed to suite with the Silverlink 600 range
- ✔ Features an on/off switch and thermostatic control, making them ideal as plate warmers
- ✔ Silverlink 600 counter-top units are securely attached to pedestals by means of fixing screws supplied
- ✔ Adjustable shelf provides flexibility for storing bulky items
- ✔ Adjustable legs for perfect alignment even on uneven floors
- ✔ Doors are designed to fit left or right handed for flexibility in kitchen planning

### Specifications

#### Summary

<b>Brand</b>	Lincat
<b>Range</b>	Silverlink 600
<b>Power Type</b>	Electric
<b>Unit Type</b>	Free-standing
<b>Available in UK Only</b>	No
<b>UK Warranty</b>	2 Years Parts and Labour Warranty
<b>Export Warranty</b>	Contact your local dealer
<b>GTIN</b>	5056105101000

#### Power and Performance

<b>Total Power kW</b>	1.00
<b>Temperature Range °C</b>	70 [constant]
<b>Temperature Control</b>	Mechanical

#### Key Specifications

<b>Number of Shelves included</b>	1
<b>Number of Shelf Positions</b>	3

#### Weights and Dimensions

<b>Unit Height (External) mm</b>	668
<b>Unit Width (External) mm</b>	900
<b>Unit Depth (External) mm</b>	600
<b>Height (Internal) mm</b>	422
<b>Width (Internal) mm</b>	898
<b>Depth (Internal) mm</b>	566
<b>Shelf Dimensions Width mm</b>	850
<b>Shelf Dimensions Depth mm</b>	530
<b>Net Weight Kg</b>	37.4

#### Supply Connections

<b>Requires Installation</b>	No
<b>Requires Electrical Supply</b>	Yes
<b>UK 3 Pin Plug</b>	Yes
<b>Requires Hardwiring</b>	No
<b>Electrical Supply Rating Watts</b>	1,000
<b>Single Phase Amps</b>	4.3
<b>Single Phase Voltage</b>	230

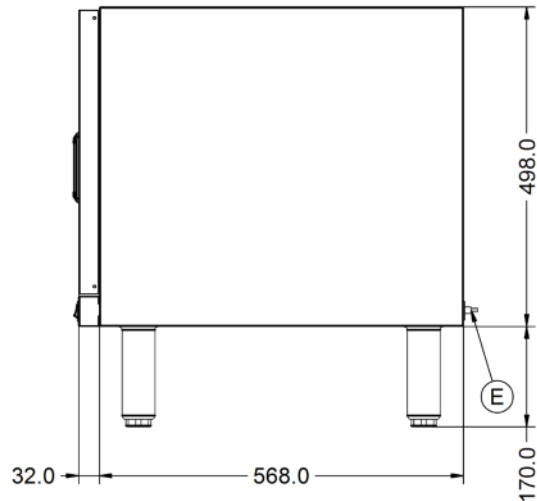
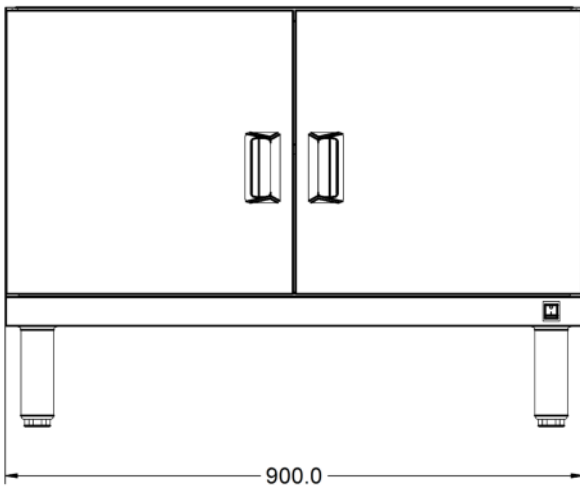
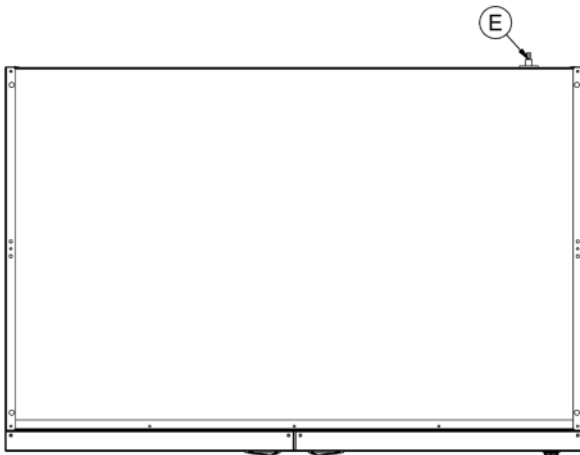
#### Shipping

<b>Packed Weight Kg</b>	53
<b>Packed Height cm</b>	77
<b>Packed Width cm</b>	98
<b>Packed Depth cm</b>	81

### Available Accessories

<b>PSH9</b>	900 PEDESTAL SHELF
-------------	--------------------

**Technical Picture**



**Lincat Limited**

Whisby Road,  
Lincoln, LN6 3QZ,  
United Kingdom

**Company No:** 2175448

A member company of



**Customer Care**

**Tel:** +44 1522 875500  
**Email:** care@lincat.co.uk

**Export Customers**

**Tel:** +44 1522 875536  
**Email:** export@lincat.co.uk

**Opening Hours**

**Monday – Friday:**  
8.30am – 5pm