



## GS4/P - Lincat Silverlink 600 Propane Gas Counter-top Griddle - Steel Plate - W 450 mm - 5.5 kW

Whether you're cooking eggs, bacon, burgers or vegetables, the versatile Silverlink 600 Gas Griddle won't let you down.

- ✓ 12 mm thick machined steel plate providing even heat distribution and an easy to clean surface
- ✓ Thermostatically controlled to give accurate temperatures during the cooking process for consistent results
- ✓ The plate is fully welded into the frame to prevent leaks and places where food and carbon can build up
- ✓ Front mounted control for easy of use during cooking
- ✓ Piezo ignition for easy lighting of the burners
- ✓ Flame failure device for maximum safety

### Specifications

#### Summary

<b>Brand</b>	Lincat
<b>Range</b>	Silverlink 600
<b>Power Type</b>	Gas
<b>Gas Type</b>	Propane Gas
<b>Unit Type</b>	Counter-top
<b>Available in UK Only</b>	No
<b>UK Warranty</b>	2 Years Parts and Labour Warranty
<b>Export Warranty</b>	Contact your local dealer
<b>GTIN</b>	5056105104797

#### Power and Performance

<b>BTU per Hour</b>	18,766
<b>Total Power kW</b>	5.5
<b>Cooking Area (Width x Depth) mm</b>	412 x 405
<b>Temperature Control</b>	Mechanical

#### Key Specifications

<b>Number of Heat Zones</b>	2
<b>Grill Plate Surface Type</b>	Smooth
<b>Grill Plate Material</b>	Steel

#### Weights and Dimensions

<b>Unit Height (External) mm</b>	415
<b>Unit Width (External) mm</b>	450
<b>Unit Depth (External) mm</b>	650
<b>Net Weight Kg</b>	35.1

#### Supply Connections

<b>Requires Installation</b>	Yes
<b>Requires Electrical Supply</b>	No
<b>Gas Connection BSP</b>	1/2"
<b>Gas Consumption at full rate Propane m<sup>3</sup> per Hour</b>	0.39
<b>Gas Pressure Propane mbar</b>	25.0
<b>Total heat input at full rate Propane kW</b>	5.5
<b>Total heat input at full rate Propane BTU per hour</b>	16,700

#### Shipping

<b>Packed Weight Kg</b>	38.61
<b>Packed Height cm</b>	63.5
<b>Packed Width cm</b>	70
<b>Packed Depth cm</b>	55

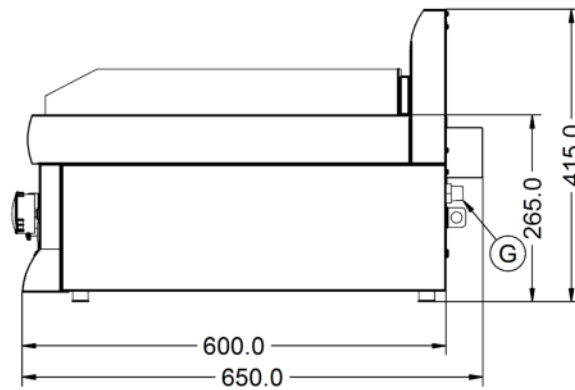
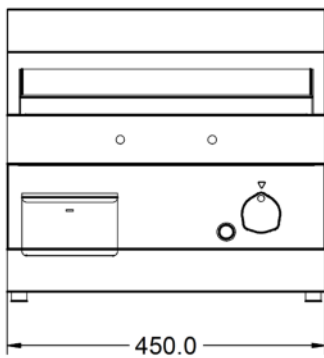
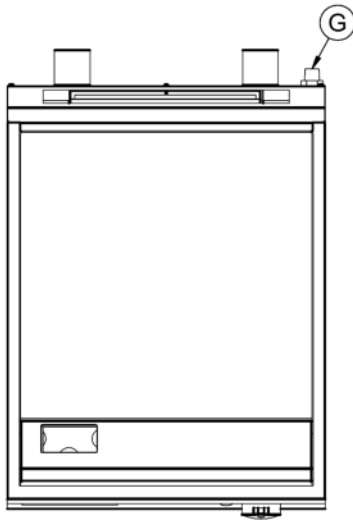
### Available Accessories

<b>CH01</b>	Caterflex Hose 1/2" - 1 Metre - for use with units up to 66,000 BTU
<b>CH02</b>	Caterflex Hose 1/2" - 1.5 Metre - for use with units up to 56,000 BTU

## Available Accessories

<b>CN4</b>	Lincat Silverlink 600 Free-standing Ambient Open-Top Pedestal without Doors - W 450 mm
<b>SB4</b>	450 GRIDDLE SPLASHB
<b>SLS4</b>	Lincat Silverlink 600 Free-standing Floor Stand - for units W 450 mm

## Technical Picture





**Lincat Limited**

Whisby Road,  
Lincoln, LN6 3QZ,  
United Kingdom

**Company No:** 2175448

A member company of



**Customer Care**

**Tel:** +44 1522 875500  
**Email:** care@lincat.co.uk

**Export Customers**

**Tel:** +44 1522 875536  
**Email:** export@lincat.co.uk

**Opening Hours**

**Monday – Friday:**  
8.30am – 5pm