



GC36 - Lincat Seal Counter-top Glass Display Case - Open Back - W 607 mm

A cost effective solution for displaying food and non food items, this Seal Glass Display Cabinet with open back is the perfect place for your cafe to display pastries, breads and cakes.

- ✔ Toughened safety glass throughout with sturdy 10mm thick base glass and strong stainless steel shelf support brackets for extra rigidity
- ✔ 6mm thick removable shelves - safe and easy to clean
- ✔ Good all-round visibility and polished glass edges - enhances visual appeal of displayed items and increases sales potential
- ✔ Non-slip rubber feet for extra safety and security
- ✔ Removable sliding rear doors

Specifications

Summary

Brand	Lincat
Range	Seal
Power Type	Not Powered
Unit Type	Counter-top
Available in UK Only	No
UK Warranty	2 Years Parts and Labour Warranty
Export Warranty	Contact your local dealer
GTIN	5056105104247

Key Specifications

Number of Shelves included	2
Number of Shelf Positions	2
Service Type	Back service
Rack Type	Static
Type of Lighting	None

Weights and Dimensions

Unit Height (External) mm	490
Unit Width (External) mm	607
Unit Depth (External) mm	350
Shelf Dimensions Width mm	583
Shelf Dimensions Depth mm	310
Net Weight Kg	22.5

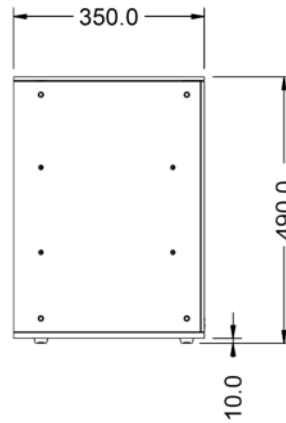
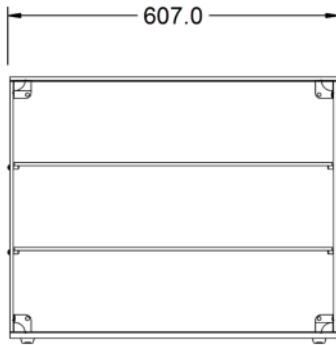
Supply Connections

Requires Installation	Yes
Requires Electrical Supply	No

Shipping

Packed Weight Kg	24.5
Packed Height cm	59
Packed Width cm	70.5
Packed Depth cm	52

Technical Picture



Lincat Limited

Whisby Road,
Lincoln, LN6 3QZ,
United Kingdom

Company No: 2175448

A member company of



Customer Care

Tel: +44 1522 875500
Email: care@lincat.co.uk

Export Customers

Tel: +44 1522 875536
Email: export@lincat.co.uk

Opening Hours

Monday – Friday:
8.30am – 5pm