



## D6R/125S - Lincat Seal 650 Series Counter-top Rectangular Front Refrigerated Merchandiser - Self- Service - W 1250 mm - 0.7 kW

Enhance your food sales by showcasing sandwiches, baguettes, yoghurts, fruit and drinks in the Seal 650 Range Rectangular Front Refrigerated Merchandiser.

- ✔ Using precise thermostatic control this unit holds food from 3°C - 7°C It enables the user to accurately monitor the temperature of product for the absolute best results
- ✔ Digital display which gives clear indication of temperature to the user
- ✔ The unit is double glazed which keeps the cool air locked in, this in turn gives the customer better results while also saving money through energy efficiency.
- ✔ The provides daylight balanced illumination which lights up the unit giving the product the spotlight
- ✔ Options for self service or back service are also available.
- ✔ Spacious unit enabling you to showcase a wide variety of product

### Specifications

#### Summary

<b>Brand</b>	Lincat
<b>Range</b>	Seal
<b>Series</b>	650 Series
<b>Power Type</b>	Electric
<b>Unit Type</b>	Counter-top
<b>Available in UK Only</b>	No
<b>UK Warranty</b>	2 Years Parts and Labour Warranty
<b>Export Warranty</b>	Contact your local dealer
<b>GTIN</b>	5056105104148

#### Power and Performance

<b>Total Power kW</b>	0.700
<b>Temperature Range °C</b>	3-7
<b>IP Rating</b>	IP33
<b>Temperature Control</b>	Electronic

#### Key Specifications

<b>Number of Shelves included</b>	2
<b>Number of Shelf Positions</b>	2
<b>Refrigerant Type</b>	R452a
<b>Service Type</b>	Self service
<b>Type of Lighting</b>	Fluorescent

#### Weights and Dimensions

<b>Unit Height (External) mm</b>	965
<b>Unit Width (External) mm</b>	1250
<b>Unit Depth (External) mm</b>	650
<b>Height (Internal) mm</b>	528
<b>Width (Internal) mm</b>	1,210
<b>Depth (Internal) mm</b>	570
<b>Shelf Dimensions Width mm</b>	1,150
<b>Shelf Dimensions Depth mm</b>	525
<b>Net Weight Kg</b>	135.6

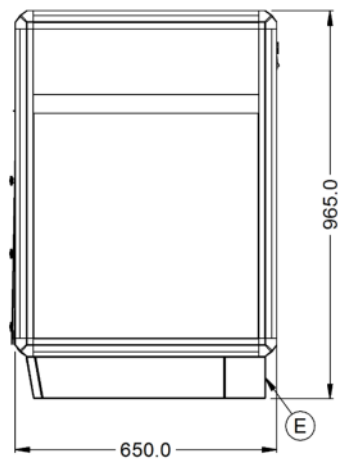
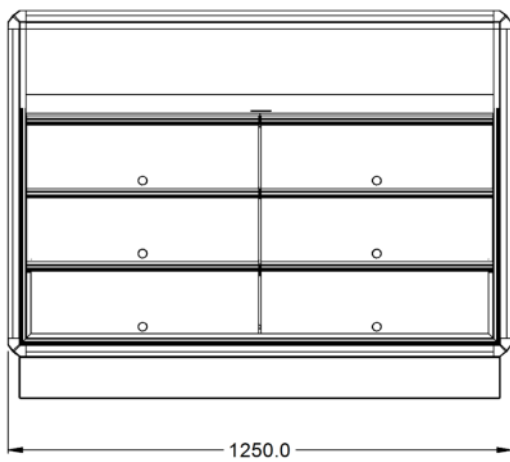
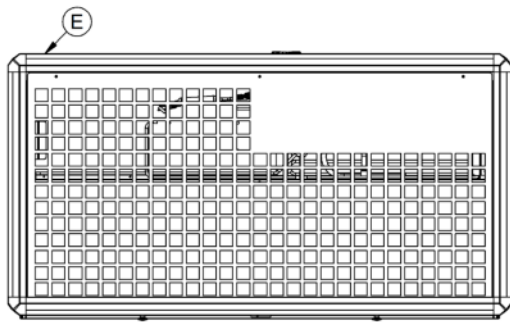
#### Supply Connections

<b>Requires Installation</b>	No
<b>Requires Electrical Supply</b>	Yes
<b>UK 3 Pin Plug</b>	Yes
<b>Requires Hardwiring</b>	No
<b>Electrical Supply Rating Watts</b>	729
<b>Single Phase Amps</b>	3.20
<b>Single Phase Voltage</b>	230

**Shipping**

<b>Packed Weight Kg</b>	149.16
<b>Packed Height cm</b>	110
<b>Packed Width cm</b>	140
<b>Packed Depth cm</b>	75

**Technical Picture**





**Lincat Limited**

Whisby Road,  
Lincoln, LN6 3QZ,  
United Kingdom

**Company No:** 2175448

A member company of



**Customer Care**

**Tel:** +44 1522 875500  
**Email:** care@lincat.co.uk

**Export Customers**

**Tel:** +44 1522 875536  
**Email:** export@lincat.co.uk

**Opening Hours**

**Monday – Friday:**  
8.30am – 5pm