



## C6A/75S - Lincat Seal 650 Series Counter-top Curved Front Ambient Merchandiser - Self-Service - W 750 mm - 0.02 kW

Display your pastries, breads and cakes with pride with the Seal 650 Range Curved Front Ambient Merchandiser.

- ✓ Understated elegant curved design with extruded aluminium frames and metallic silver finish, which enhances display without detracting from the contents
- ✓ Sleek design and chrome plated rod shelves are attractive and easy to clean
- ✓ All-round visibility to maximise food sales potential
- ✓ Suitable for self-service applications
- ✓ Provides daylight balanced illumination, which lights up the units interior and spotlights each product
- ✓ This products design ensures a smooth fit alongside other refrigerated, ambient and heated units

### Specifications

#### Summary

|                             |                                   |
|-----------------------------|-----------------------------------|
| <b>Brand</b>                | Lincat                            |
| <b>Range</b>                | Seal                              |
| <b>Series</b>               | 650 Series                        |
| <b>Power Type</b>           | Electric                          |
| <b>Unit Type</b>            | Counter-top                       |
| <b>Available in UK Only</b> | No                                |
| <b>UK Warranty</b>          | 2 Years Parts and Labour Warranty |
| <b>Export Warranty</b>      | Contact your local dealer         |
| <b>GTIN</b>                 | 5056105103820                     |

#### Power and Performance

|                       |      |
|-----------------------|------|
| <b>Total Power kW</b> | 0.02 |
| <b>IP Rating</b>      | IP33 |

#### Key Specifications

|                                   |              |
|-----------------------------------|--------------|
| <b>Number of Shelves included</b> | 2            |
| <b>Number of Shelf Positions</b>  | 2            |
| <b>Service Type</b>               | Self service |
| <b>Rack Type</b>                  | Static       |
| <b>Type of Lighting</b>           | Fluorescent  |

#### Weights and Dimensions

|                                  |     |
|----------------------------------|-----|
| <b>Unit Height (External) mm</b> | 755 |
| <b>Unit Width (External) mm</b>  | 750 |
| <b>Unit Depth (External) mm</b>  | 650 |
| <b>Shelf Dimensions Width mm</b> | 650 |
| <b>Shelf Dimensions Depth mm</b> | 525 |
| <b>Net Weight Kg</b>             | 40  |

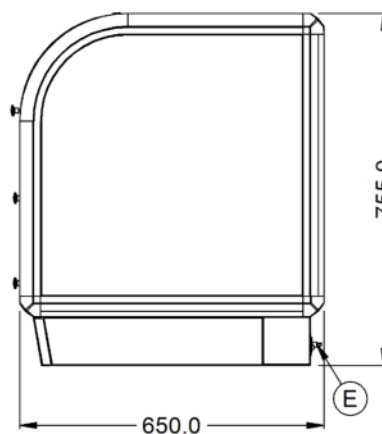
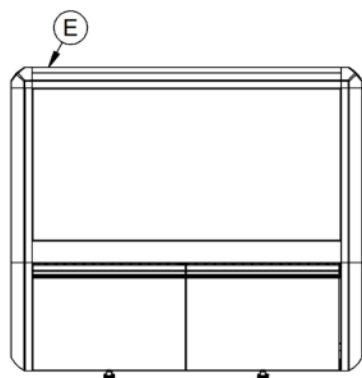
#### Supply Connections

|                                       |      |
|---------------------------------------|------|
| <b>Requires Installation</b>          | No   |
| <b>Requires Electrical Supply</b>     | Yes  |
| <b>UK 3 Pin Plug</b>                  | Yes  |
| <b>Requires Hardwiring</b>            | No   |
| <b>Electrical Supply Rating Watts</b> | 20   |
| <b>Single Phase Amps</b>              | <1.0 |
| <b>Single Phase Voltage</b>           | 230  |

#### Shipping

|                         |     |
|-------------------------|-----|
| <b>Packed Weight Kg</b> | 44  |
| <b>Packed Height cm</b> | 89  |
| <b>Packed Width cm</b>  | 100 |
| <b>Packed Depth cm</b>  | 85  |

### Technical Picture



**Lincat Limited**

Whisby Road,  
Lincoln, LN6 3QZ,  
United Kingdom

**Company No:** 2175448

A member company of



**Customer Care**

**Tel:** +44 1522 875500  
**Email:** care@lincat.co.uk

**Export Customers**

**Tel:** +44 1522 875536  
**Email:** export@lincat.co.uk

**Opening Hours**

**Monday – Friday:**  
8.30am – 5pm