



## AS4 - Lincat Silverlink 600 Electric Counter-top Adjustable Salamander Grill - W 600 mm - 4.5 kW

Fast and convenient, the powerful Silverlink 600 Electric Adjustable Salamander allows you to alter the height of the unit so that you can grill and toast your way.

- ✓ Higher powered
- ✓ The height markings and audible timer ensures consistent results every time
- ✓ Ideal for the grilling and gratinating of a range of food types
- ✓ Chromed toasting rack included
- ✓ 1/1 gastronorm compatible for convenience in use
- ✓ Removable fat collection tray is included to make cleaning easier
- ✓ Smooth action and easy-lift grill hood

### Specifications

#### Summary

<b>Brand</b>	Lincat
<b>Range</b>	Silverlink 600
<b>Power Type</b>	Electric
<b>Unit Type</b>	Counter-top
<b>Available in UK Only</b>	No
<b>UK Warranty</b>	2 Years Parts and Labour Warranty
<b>Export Warranty</b>	Contact your local dealer
<b>GTIN</b>	5056105104513

#### Power and Performance

<b>Total Power kW</b>	4.5
<b>IP Rating</b>	IP23
<b>Cooking Area (Width x Depth) mm</b>	532 x 340
<b>Temperature Control</b>	Mechanical

#### Key Specifications

<b>Number of Heat Zones</b>	1
-----------------------------	---

#### Capacity

<b>Gastronorm Capacity</b>	1 x GN1/1
----------------------------	-----------

#### Weights and Dimensions

<b>Unit Height (External) mm</b>	500
<b>Unit Width (External) mm</b>	600
<b>Unit Depth (External) mm</b>	472
<b>Shelf Dimensions Width mm</b>	532
<b>Shelf Dimensions Depth mm</b>	340
<b>Net Weight Kg</b>	45

#### Supply Connections

<b>Requires Installation</b>	Yes
<b>UK 3 Pin Plug</b>	No
<b>Requires Hardwiring</b>	Yes
<b>Electrical Supply Rating Watts</b>	4,500
<b>Single Phase Amps</b>	19.60
<b>Single Phase Voltage</b>	230

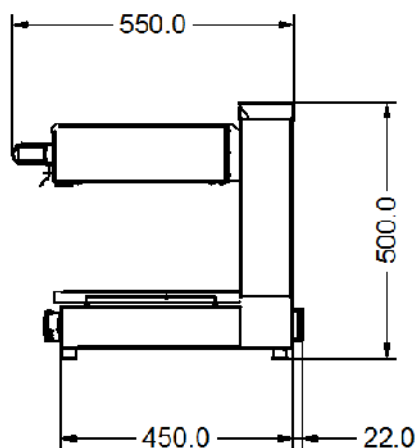
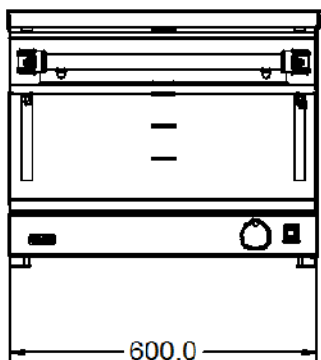
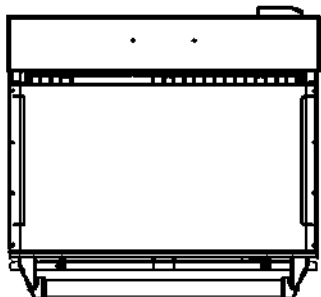
#### Shipping

<b>Packed Weight Kg</b>	49.5
<b>Packed Height cm</b>	102.3
<b>Packed Width cm</b>	70.3
<b>Packed Depth cm</b>	70.3

### Available Accessories

<b>BR51</b>	Wall Bracket for AS3/AS4
-------------	--------------------------

### Technical Picture



**Lincat Limited**

Whisby Road,  
Lincoln, LN6 3QZ,  
United Kingdom

**Company No:** 2175448

A member company of



**Customer Care**

**Tel:** +44 1522 875500  
**Email:** care@lincat.co.uk

**Export Customers**

**Tel:** +44 1522 875536  
**Email:** export@lincat.co.uk

**Opening Hours**

**Monday – Friday:**  
8.30am – 5pm