



## LSF - Lincat Lynx 400 Electric Counter-top Slimline Standby Fryer - Single Tank - 1 Basket - W 184 mm - 2.5 kW

The 2.5kW Lynx 400 Slimline Electric Counter Top Fryer is designed to plug in and play, which means that you'll be producing perfect fried chips in no time at all.

- ✔ Small footprint for where space is at a premium or great as a standby fryer for specialist applications
- ✔ Removable stainless steel tank and batter plate for easy cleaning
- ✔ Removable control head to aid easy cleaning and maintenance
- ✔ Comes with batter plate to allow open frying
- ✔ Thermostatically controlled to give better and more consistent cooking results
- ✔ Nickel plated baskets for easy cleaning
- ✔ Safety thermostat to prevent overheat
- ✔ Plug and play for an easy installation

### Specifications

#### Summary

<b>Brand</b>	Lincat
<b>Range</b>	Lynx 400
<b>Power Type</b>	Electric
<b>Unit Type</b>	Counter-top
<b>Available in UK Only</b>	No
<b>UK Warranty</b>	2 Years Parts and Labour Warranty
<b>Export Warranty</b>	Contact your local dealer
<b>GTIN</b>	5056105101017

#### Power and Performance

<b>Total Power kW</b>	2.5
<b>Temperature Range °C</b>	130-190
<b>IP Rating</b>	IP23
<b>Temperature Control</b>	Mechanical

#### Key Specifications

<b>Number of Baskets</b>	1
<b>Number of Tanks</b>	1
<b>Gravity Filtration</b>	No
<b>Pumped Filtration</b>	No

#### Capacity

<b>Product Output per Hour</b>	7kg chips - 12mm [frozen], 8kg chips - 12mm [chill]
<b>Capacity Litres</b>	2.5

#### Weights and Dimensions

<b>Unit Height (External) mm</b>	315
<b>Unit Width (External) mm</b>	184
<b>Unit Depth (External) mm</b>	417
<b>Net Weight Kg</b>	6

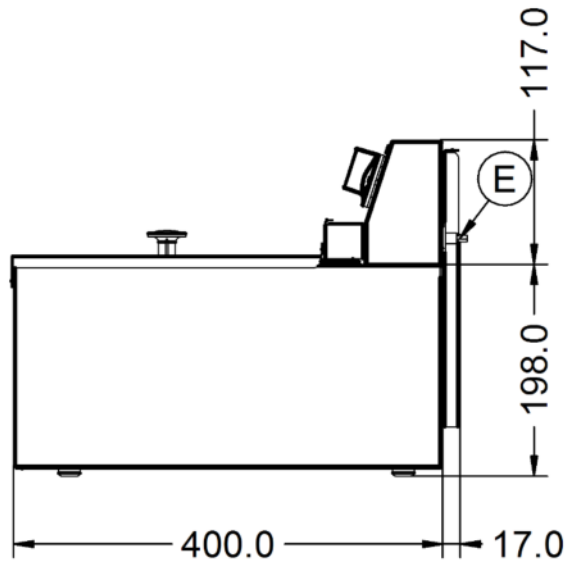
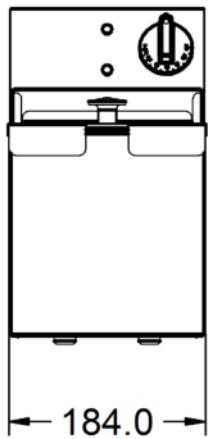
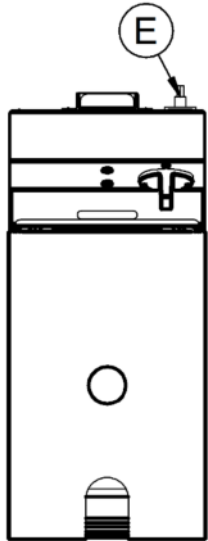
#### Supply Connections

<b>Requires Installation</b>	No
<b>Requires Electrical Supply</b>	Yes
<b>UK 3 Pin Plug</b>	Yes
<b>Requires Hardwiring</b>	No
<b>Electrical Supply Rating Watts</b>	2,500
<b>Single Phase Amps</b>	10.8
<b>Single Phase Voltage</b>	230

#### Shipping

<b>Packed Weight Kg</b>	6.6
<b>Packed Height cm</b>	42
<b>Packed Width cm</b>	48
<b>Packed Depth cm</b>	38

### Technical Picture



**Lincat Limited**

Whisby Road,  
Lincoln, LN6 3QZ,  
United Kingdom

**Company No:** 2175448

A member company of



**Customer Care**

**Tel:** +44 1522 875500  
**Email:** care@lincat.co.uk

**Export Customers**

**Tel:** +44 1522 875536  
**Email:** export@lincat.co.uk

**Opening Hours**

**Monday – Friday:**  
8.30am – 5pm