



F63/900 - IMClean UV Confidence Box - Pass Through - 56W UV-C Steriliser

Utilising the effects of four UV-C lamps, located in the base, sides and top, the Confidence Box reduces the viral and bacterial contamination on the exposed surfaces of any object placed inside in just 30 seconds.

- ✓ Give your customers increased confidence in your service.
- ✓ UV-C kills bacteria and viruses on exposed surfaces in just 30 seconds.
- ✓ Great for hospitality, retail and healthcare. Suitable for a wide range of products from cutlery, to shoes, to mobile phones.
- ✓ Pass through design. All operation is from the server side, there is no need for your customer to touch the unit, reducing the spread of bacteria and viruses.
- ✓ Top, side and base UV lamps maximise exposure to the surfaces of objects placed in the unit.
- ✓ Safety interlock doors, the UV lamps will only switch on when the doors are closed.
- ✓ At the end of the cycle the lights in the cabinet go green and audible feedback is given.
- ✓ 4 x high powered UV-C lamps.

Specifications

Summary

Brand	IMC
Range	IMClean
Series	UV Confidence Box
Power Type	Electric
Unit Type	Counter-top
Available in UK Only	No
UK Warranty	2 Years Parts and Labour Warranty
Export Warranty	Contact your local dealer
GTIN	5056105121657

Power and Performance

Total Power kW	0.16
IP Rating	IP23
Controls Position	Rear
Lamp Power Watts	14
Cycle Length seconds	30

Key Specifications

Operator Safety	Acrylic door prevents UV leaking out
Number of Doors	2
Timer Type	Electrical
UV Type	C
UV Wavelength nm	254
Number of Lamps	4
Audible Alert	Yes
Visual Alert	Yes - Green LED
Door Construction	Light Grey Tint Acrylic
Body Construction	304 Stainless Steel

Weights and Dimensions

Unit Height (External) mm	375
Unit Width (External) mm	575
Unit Depth (External) mm	450
Height (Internal) mm	250
Width (Internal) mm	490
Depth (Internal) mm	380
Net Weight Kg	18

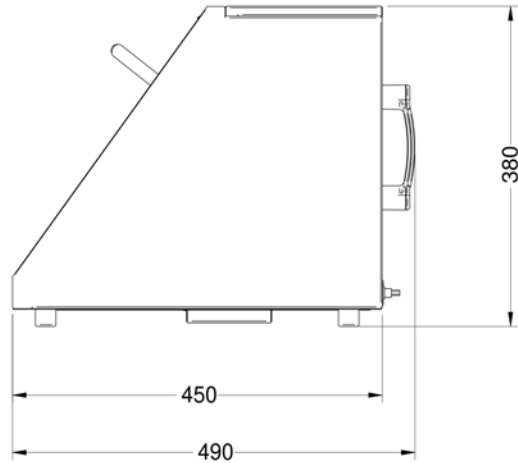
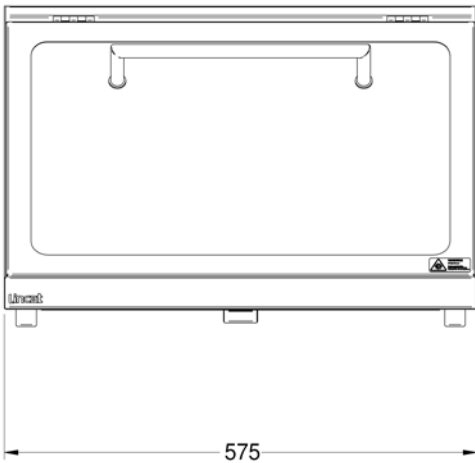
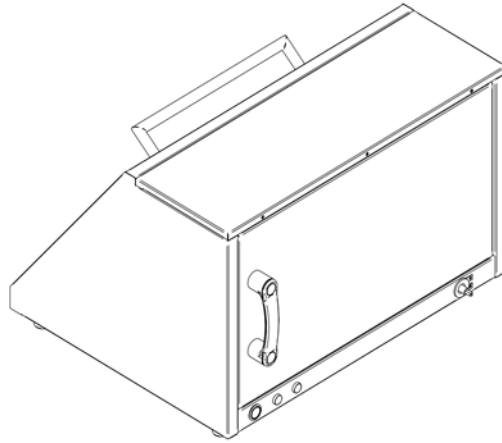
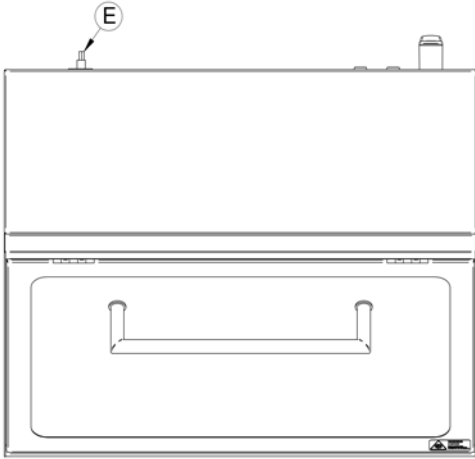
Supply Connections

Requires Installation	No
Requires Electrical Supply	Yes
UK 3 Pin Plug	Yes
Requires Hardwiring	No
Electrical Supply Rating Watts	160
Single Phase Amps	0.66
Single Phase Voltage	240

Shipping

Packed Weight Kg	19.8
Packed Height cm	495
Packed Width cm	700
Packed Depth cm	700

Technical Picture



Lincat Limited

Whisby Road,
Lincoln, LN6 3QZ,
United Kingdom

Company No: 2175448

A member company of



Customer Care

Tel: +44 1522 875500
Email: care@lincat.co.uk

Export Customers

Tel: +44 1522 875536
Email: export@lincat.co.uk

Opening Hours

Monday – Friday:
8.30am – 5pm