



D5R/125S - Lincat Seal 500 Series Counter-top Refrigerated Merchandiser - Self- Service - W 1250 mm - 0.6 kW

Make maximum use of limited space with the Seal 500 Range Refrigerated Merchandiser's generous capacity.

- ✔ Using precise thermostatic control this unit holds food from 3°C - 7°C. It enables the user to accurately monitor the temperature of product for the absolute best results
- ✔ Provides daylight balanced illumination, which lights up the units interior and spotlights each product
- ✔ Digital display which gives clear indication of temperature to the user
- ✔ Options for self service or back service are also available.
- ✔ The unit is double glazed which keeps the cool air locked in, this in turn gives the customer better results while also saving money through energy efficiency.
- ✔ Spacious unit enabling you to showcase a wide variety of product

Specifications

Summary		Power and Performance	
Brand	Lincat	Total Power kW	0.600
Range	Seal	Temperature Range °C	3-7
Series	500 Series	IP Rating	IP33
Power Type	Electric	Temperature Control	Electronic
Unit Type	Counter-top		
Available in UK Only	No		
UK Warranty	2 Years Parts and Labour Warranty		
Export Warranty	Contact your local dealer		
GTIN	5056105104100		

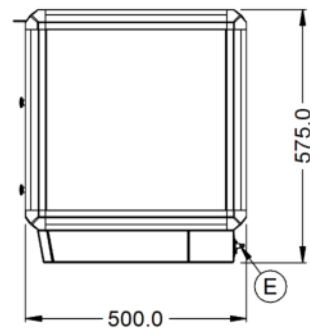
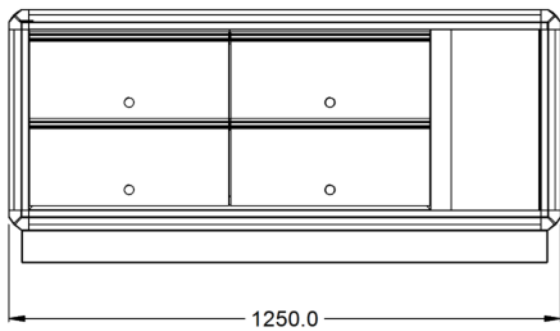
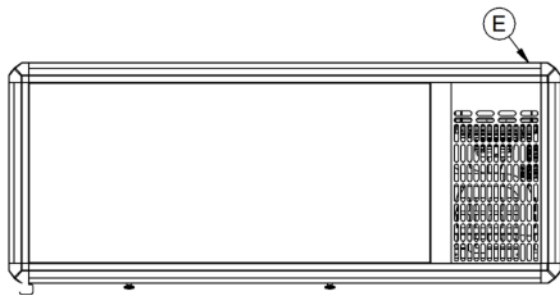
Key Specifications	
Number of Shelves included	1
Number of Shelf Positions	1
Refrigerant Type	R452a
Service Type	Self service
Type of Lighting	Fluorescent

Weights and Dimensions		Supply Connections	
Unit Height (External) mm	575	Requires Installation	No
Unit Width (External) mm	1250	Requires Electrical Supply	Yes
Unit Depth (External) mm	500	UK 3 Pin Plug	Yes
Height (Internal) mm	362	Requires Hardwiring	No
Width (Internal) mm	910	Electrical Supply Rating Watts	621
Depth (Internal) mm	424	Single Phase Amps	2.70
Shelf Dimensions Width mm	900	Single Phase Voltage	230
Shelf Dimensions Depth mm	375		
Net Weight Kg	86		

Shipping

Packed Weight Kg	94.6
Packed Height cm	89
Packed Width cm	140
Packed Depth cm	75

Technical Picture





Lincat Limited

Whisby Road,
Lincoln, LN6 3QZ,
United Kingdom

Company No: 2175448

A member company of



Customer Care

Tel: +44 1522 875500
Email: care@lincat.co.uk

Export Customers

Tel: +44 1522 875536
Email: export@lincat.co.uk

Opening Hours

Monday – Friday:
8.30am – 5pm