



C6H/100B - Lincat Seal 650 Series Counter-top Curved Front Heated Merchandiser - Back-Service - W 1000 mm - 2.02 kW

Keep hot meats, pasties, pies and other foods at the perfect temperature with the Seal 650 Range Curved Front Heated Merchandiser.

- ✓ Elegant curved design with extruded aluminium frames and metallic silver finish enhances display without detracting from the contents
- ✓ Precise thermostatic control up to 95°C with digital display of cabinet temperature ensures food is maintained at a safe temperature
- ✓ Minimum food holding temperature of 72°C
- ✓ Humidity feature prevents food drying out - food stays in optimum condition for longer, reducing waste
- ✓ All-round visibility to maximise food sales potential
- ✓ Daylight-balanced illumination to enhance display of contents with easy change clip-in fluorescent light tubes

Specifications

Summary

| | |
|-----------------------------|-----------------------------------|
| Brand | Lincat |
| Range | Seal |
| Series | 650 Series |
| Power Type | Electric |
| Unit Type | Counter-top |
| Available in UK Only | No |
| UK Warranty | 2 Years Parts and Labour Warranty |
| Export Warranty | Contact your local dealer |
| GTIN | 5056105103837 |

Power and Performance

| | |
|-----------------------------|------------|
| Total Power kW | 2.02 |
| Temperature Range °C | 72-95 |
| IP Rating | IP33 |
| Temperature Control | Electronic |

Key Specifications

| | |
|-----------------------------------|--------------|
| Number of Shelves included | 3 |
| Number of Shelf Positions | 3 |
| Service Type | Back service |
| Rack Type | Static |
| Type of Lighting | Fluorescent |
| Heated Base | Yes |

Weights and Dimensions

| | |
|----------------------------------|------|
| Unit Height (External) mm | 755 |
| Unit Width (External) mm | 1000 |
| Unit Depth (External) mm | 650 |
| Shelf Dimensions Width mm | 900 |
| Shelf Dimensions Depth mm | 525 |
| Net Weight Kg | 68 |

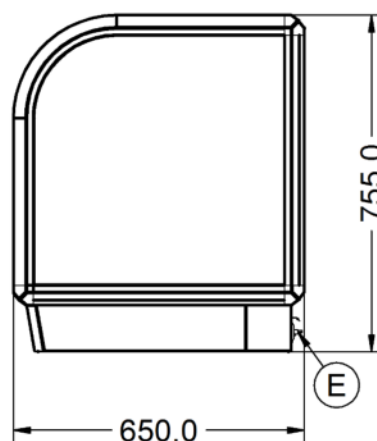
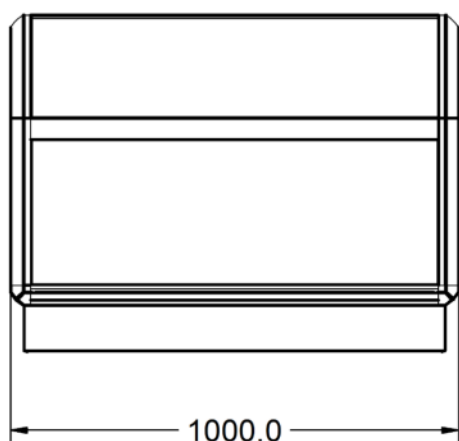
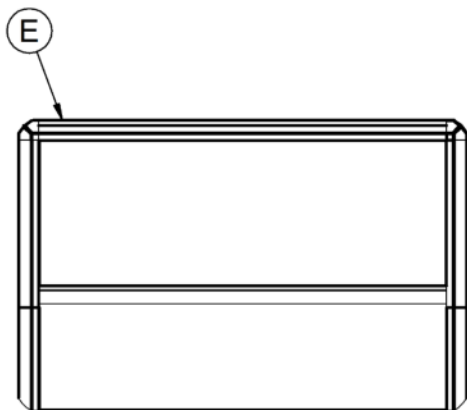
Supply Connections

| | |
|---------------------------------------|-------|
| Requires Installation | No |
| UK 3 Pin Plug | Yes |
| Requires Hardwiring | No |
| Electrical Supply Rating Watts | 2,020 |
| Single Phase Amps | 8.7 |
| Single Phase Voltage | 230 |

Shipping

| | |
|-------------------------|------|
| Packed Weight Kg | 74.8 |
| Packed Height cm | 90 |
| Packed Width cm | 115 |
| Packed Depth cm | 75 |

Technical Picture



Lincat Limited

Whisby Road,
Lincoln, LN6 3QZ,
United Kingdom

Company No: 2175448

A member company of



Customer Care

Tel: +44 1522 875500
Email: care@lincat.co.uk

Export Customers

Tel: +44 1522 875536
Email: export@lincat.co.uk

Opening Hours

Monday – Friday:
8.30am – 5pm