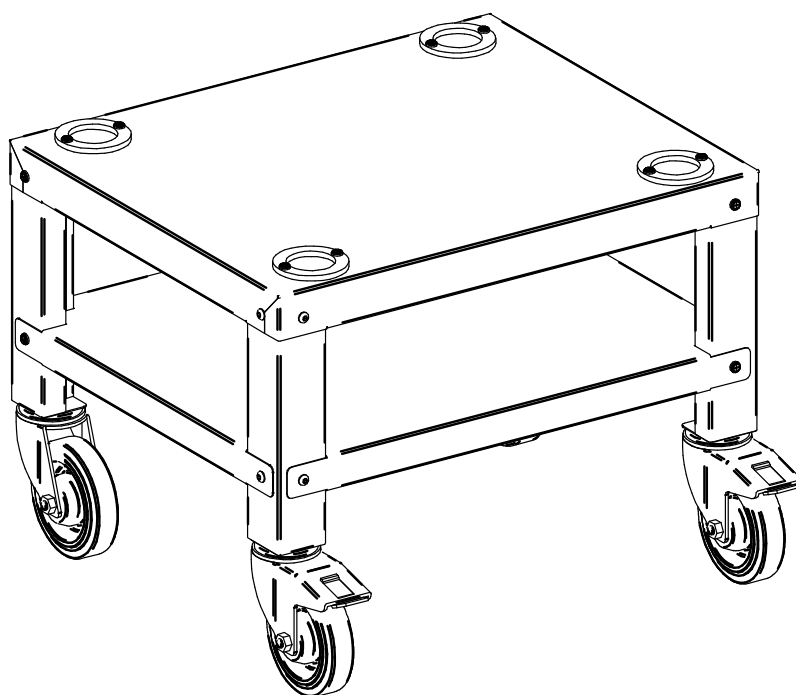


PART A

CO300/LFSK

CONVECTOR Floor Stands

IS748 ECN: 4614



CONVECTOR

Lincat Limited,
Whisby Road,
Lincoln LN6 3QZ,
United Kingdom.

☎ Spares Tel: 01522 875510
☎ General Tel: 01522 875555

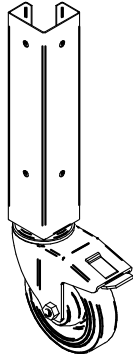
☎ Fax: 01522 875540
✉ E-mail: spares@lincat.co.uk



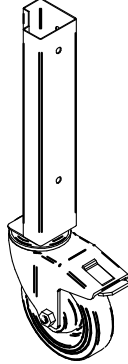
A member company of



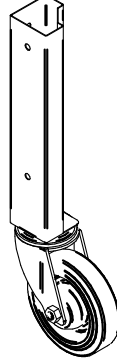
35187FR-LH



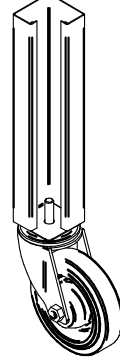
35187FR-RH



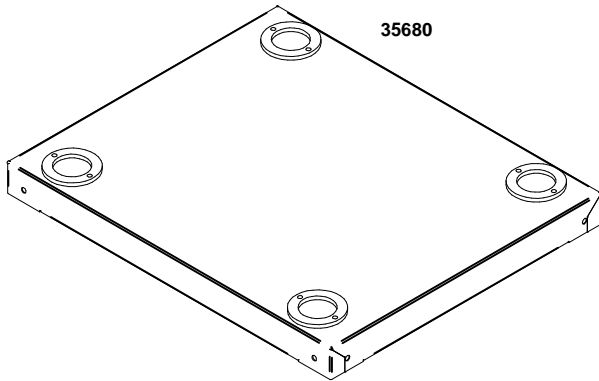
35187RE-LH



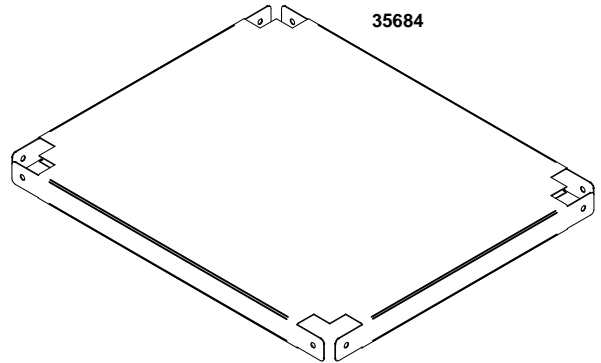
35187RE-RH



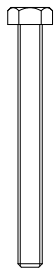
35188



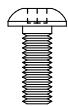
35680



35684



FAS068
(x16)



FAS819
(x16)

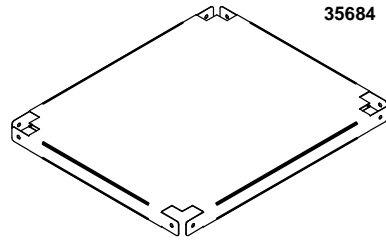


FAS039
(x16)

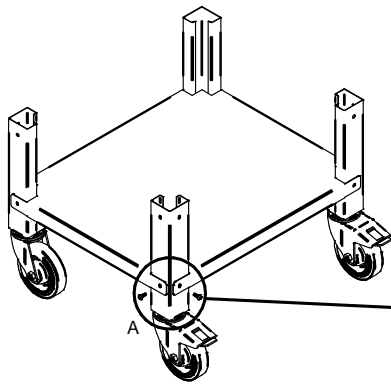
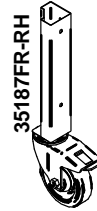
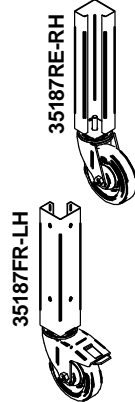
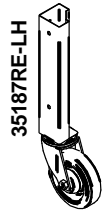


SPANNER
(x2)

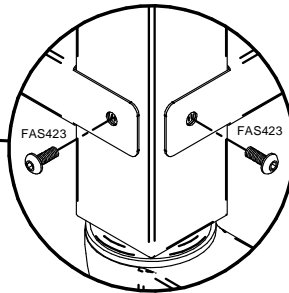
1



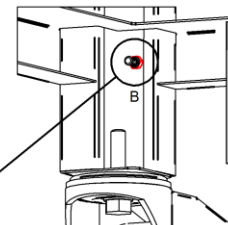
SLOT BASE FRAME OVER LEGS



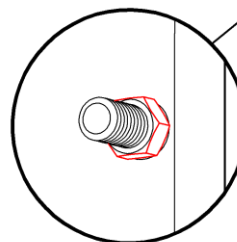
INSERT FAS423
x 8



DETAIL A



TIGHTEN FAS021 TO FAS423
x 8



DETAIL B



ENSURE FASTENERS
ARE TIGHT

CONVECTOR

Lincat Limited,
Whisby Road,
Lincoln LN6 3QZ,
United Kingdom.

Spares Tel: 01522 875510
General Tel: 01522 875555

Fax: 01522 875540
E-mail: spares@lincat.co.uk

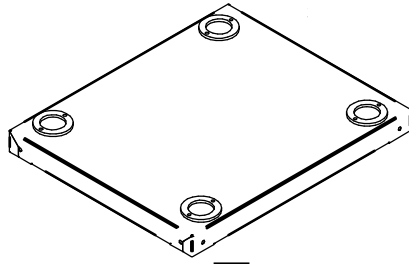


A member company of

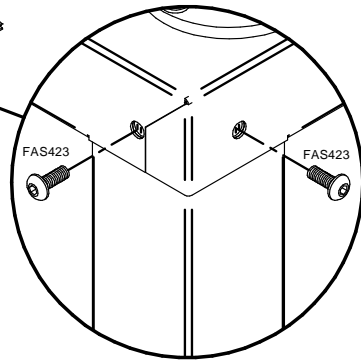
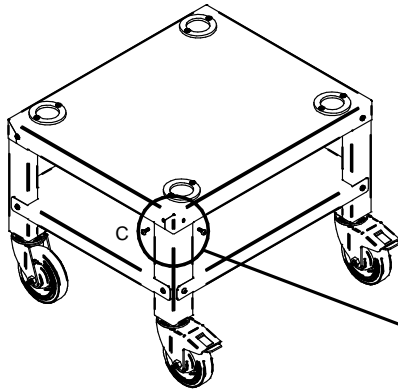
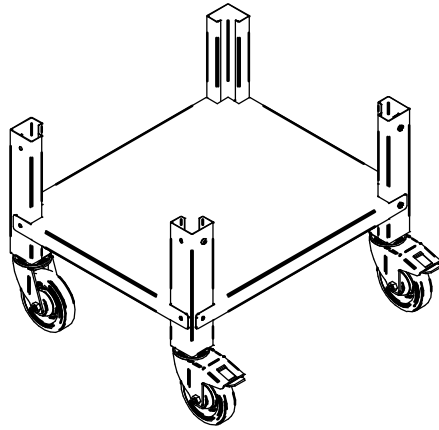


2

35680

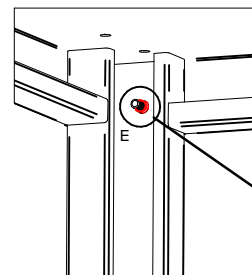


SLOT TOP OVER LEGS

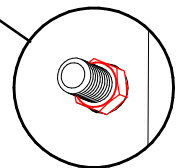


INSERT FAS423
x 8

DETAIL C



TIGHTEN FAS021
TO FAS423
x 8



DETAIL E



ENSURE FASTENERS
ARE TIGHT

CONVECTOR

Lincat Limited,
Whisby Road,
Lincoln LN6 3QZ,
United Kingdom.

Spares Tel: 01522 875510
General Tel: 01522 875555

Fax: 01522 875540
E-mail: spares@lincat.co.uk



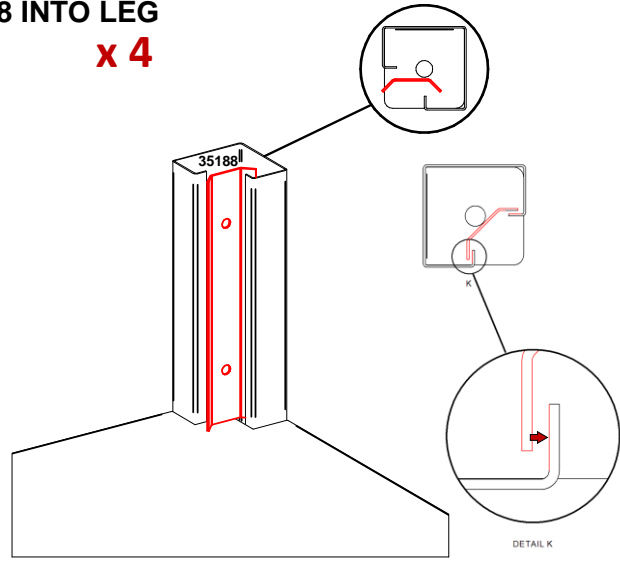
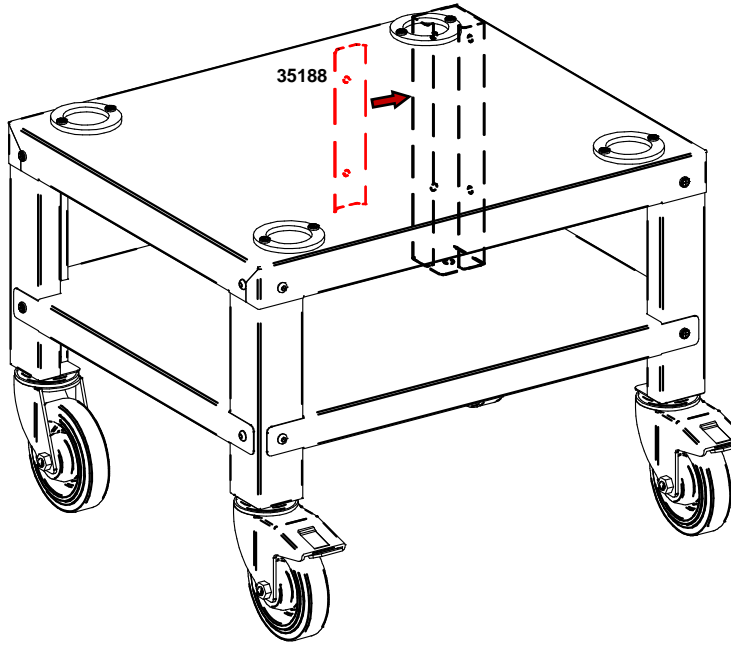
A member company of



3

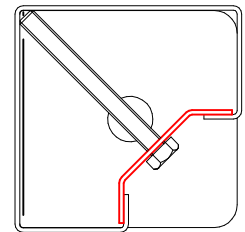
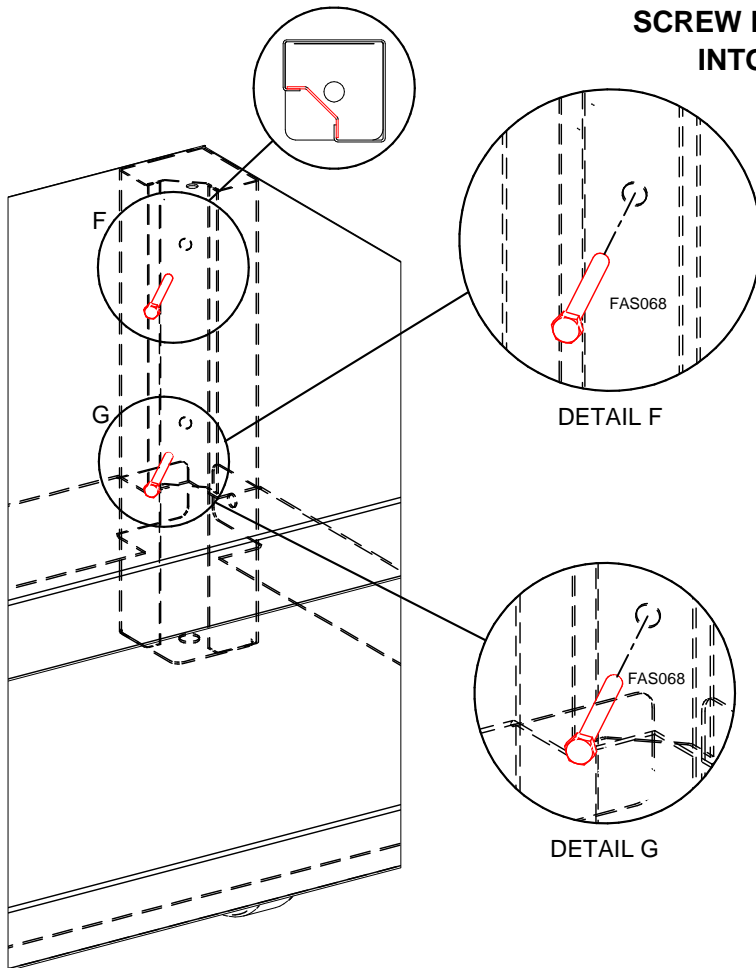
SLOT 35188 INTO LEG

x 4



SCREW FAS068 INTO 35188

x 8



CONVECTOR

Lincat Limited,
Whisby Road,
Lincoln LN6 3QZ,
United Kingdom.

Spares Tel: 01522 875510
General Tel: 01522 875555

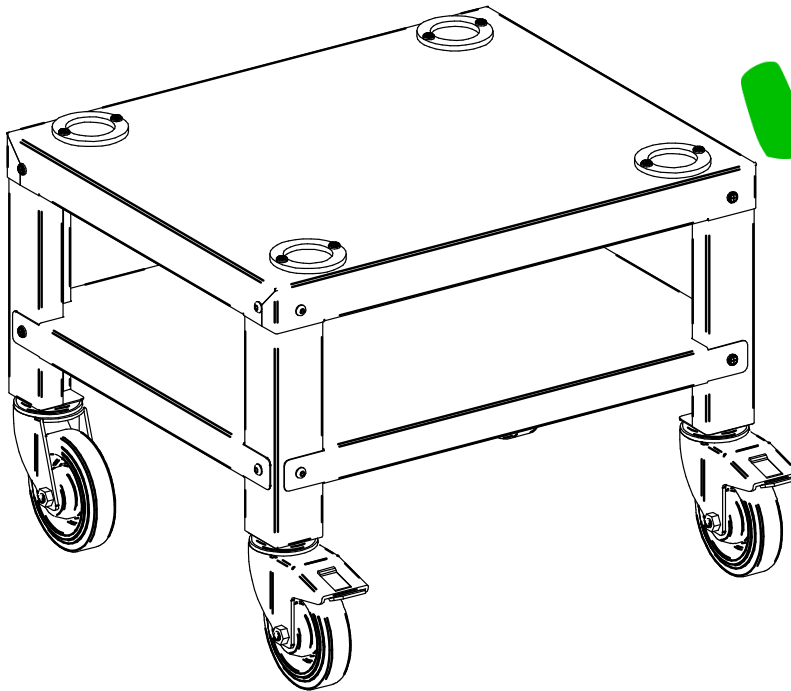
Fax: 01522 875540
E-mail: spares@lincat.co.uk



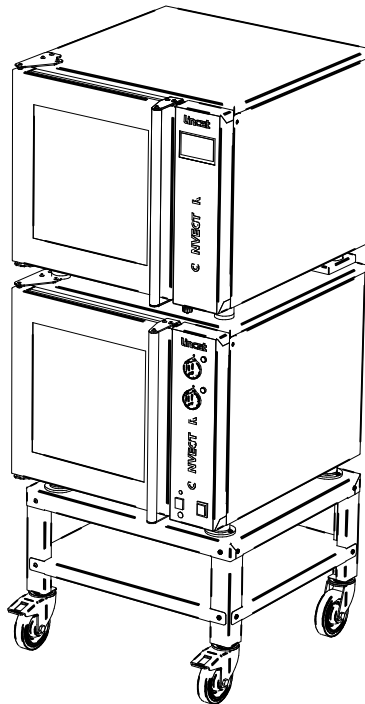
A member company of



4



5



FOR STACKING OF UNITS, REFER TO PART B (IS749). IT IS RECOMMENDED THIS IS CARRIED OUT BY AN ENGINEER OR BY COMPETENT PERSONS