



Assembly Instructions

Opus 800 Floor Stands
OA8991, OA8992 & OA8993

Fitting Instructions to Floor Stands

Please make a note of your product details for future use:

Date Purchased: _____

Model Number: _____

Serial Number: _____

Dealer: _____

Opus **800**

Opus 800 Floor Stand Assembly

Remove all protective packaging before assembling parts.

Please note these Chargrills are heavy, the small unit (OG8401) requires at least two people to lift and the larger unit (OG8411) will require at least four people.

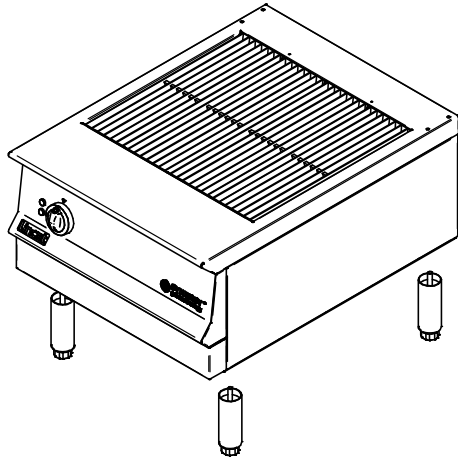
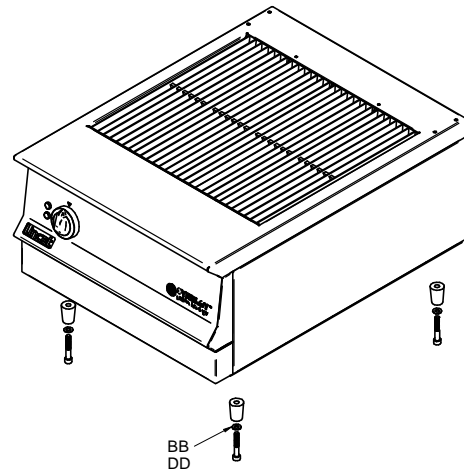


Fig. 1



Remove each leg from the appliance and discard. Fit plugs to the base of the appliance.

Secure the new adjustable feet to the lower sub-frame as shown using nuts N1. Note the hole positions to be used.

For floor stands with castors the braked castors are fitted to the front and the plain castors to the rear in the same manner as the adjustable feet.

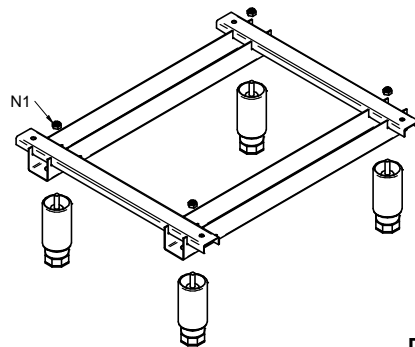


Fig. 2

Secure the sub-frame and lower shelf to the columns as shown.

Note the radius of the shelf is to the front of the appliance.

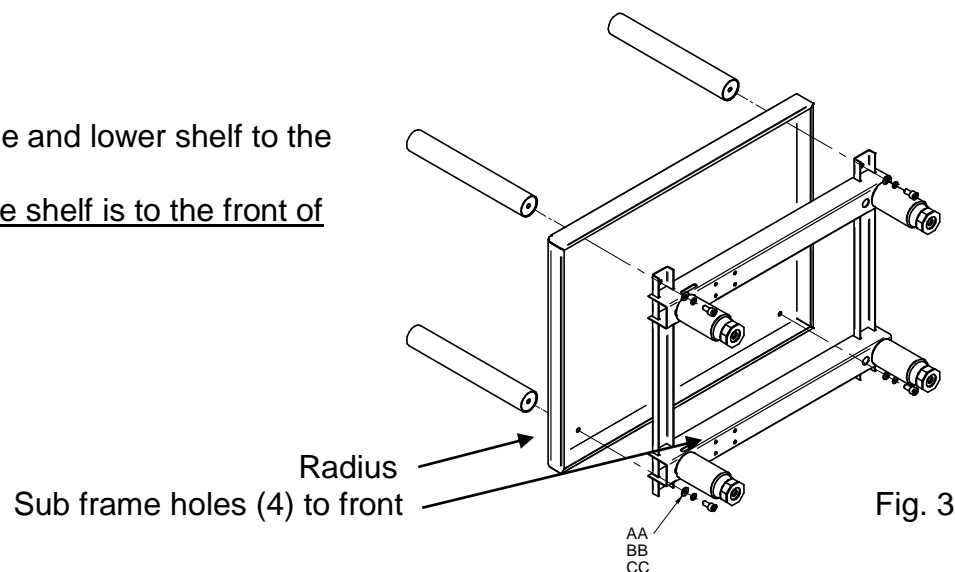


Fig. 3

Lower the appliance onto the columns.
Note manual handling assessment should be observed.

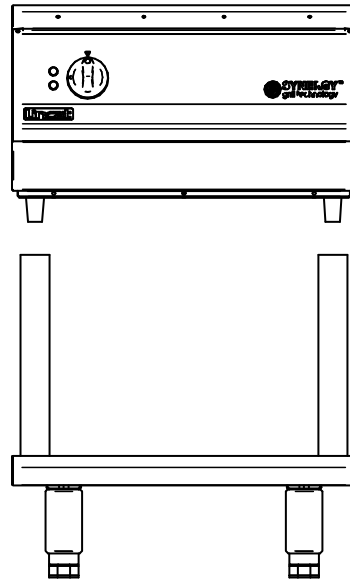
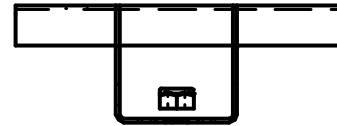
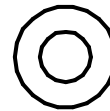


Fig. 4

N1 – M10 Self-locking Nut placed inside of channel
See Fig. 2



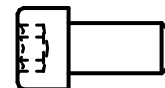
AA – M10 Flat Washer
See Fig. 3



BB – M10 Shake Proof Washer
See Fig. 3



CC – M10 Cap Screw (Short)
See Fig. 3



DD – M10 Cap Screw (Long)
See Fig. 1



Part No.	Description	OA8991	OA8992	OA8993
LE37	Adjustable Leg	4	4	6
CA112	Swivel Castor Braked (Option)	2	2	-
CA113	Fived Castor (Option)	2	2	-
LE84	Tubular Column	4	4	6
FAS091	M10 Shake Proof Washer	8	8	12
FAS831	M10 Flat Washer	4	4	6
FAS509	M10 Self-Locking nut	4	4	6
FAS2017	M10 Cap Screw - Short	4	4	6
FAS409	M10 Cap Screw - Long	4	4	6
LP01	Tapered Plug	4	4	6
8711	Spanner	1	1	1
AK02	Allen Key	1	1	1

Assembly of Appliance to Floor Stand

Remove all protective coating from the appliance and floor stand shelf.

Remove loose parts to reduce weight, i.e. cooking grids, burner caps, splash backs etc.

Note: Manual handling assessment should be observed.

Remove the adjustable feet from the appliance.

Secure the tapered plugs to the base of the appliance.

Fit the new adjustable feet to the sub-frame.

Using the cap screws and washers provided screw the sub-frame through the lower shelf to the columns, securing fully with the Allen key provided.

Place the appliance onto the assembled floor stand.

Replace the loose parts, i.e. cooking grids, splash backs etc.

Adjust the floor stand legs to level the appliance.