



Installation Instructions

Silverlink 600 Floor Stand for 'V' Ovens SLS6/V, SLS7/V

Please make a note of your product details for future use:

Date Purchased: _____

Model Number: _____

Serial Number: _____

Dealer: _____

SILVERLINK 600

CONTENTS

Important Information	2
Technical Data	3
Checklist of Enclosures	3
Installation	3-4
Cleaning	4
Spare Parts List	4
Service Information and Guarantee	5

IMPORTANT INFORMATION

Read these instructions carefully before using this product, paying particular attention to all sections that carry warning symbols, caution symbols and notices. Ensure that these are understood at all times.



KEEP THIS MANUAL FOR FUTURE REFERENCE

TECHNICAL DATA

Model	Height (mm)	Width (mm)	Depth (mm)	Weight (kg)
SLS6/V	650-675	600	567	23.0
SLS7/V		750		26.0

CHECK LIST OF ENCLOSURES

Warranty card
Instructions manual
Fasteners

INSTALLATION

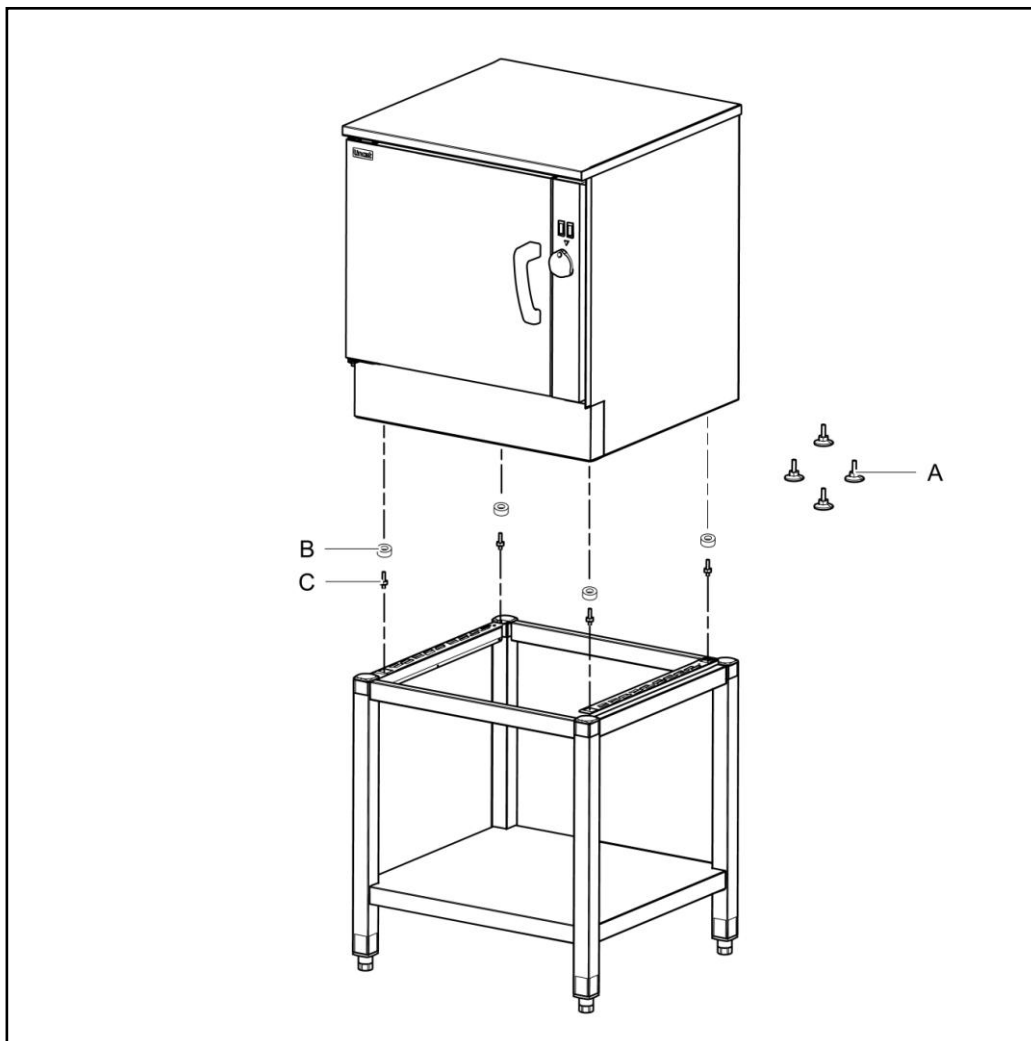


Fig 1

Refer to Fig 1.

Position the stand on a solid surface and adjust the feet until it is level.

Unscrew the feet (A) from the bottom of the oven and replace with the rubber feet (B), using the nylon screws (C).

Place the oven onto the stand, ensuring the rubber feet locate in the holes on top of the stand.

CLEANING

Clean all panels with warm water and mild detergent, do not use abrasive materials. Dry with a soft cloth.

SPARE PARTS LIST

Part Number	Description
FE38	Stand foot
IN42	Stand foot insert
FE37	Rubber foot
RI01	Nylon screw rivet

SERVICE INFORMATION

For help with the installation, maintenance and use of your **Lincat** equipment, please contact our service department:

☎ UK: 01522 875520

For non-UK customers, please contact your local Lincat dealer

All service work, other than routine cleaning should be carried out by one of our authorised service agents. We cannot accept responsibility for work carried out by other persons.

To ensure your service enquiry is handled as efficiently as possible, please tell us:

- Brief details of the problem
 - Product code
 - Type number
 - Serial number
- } All available on serial plate

Lincat reserve the right to carry out any work under warranty, given reasonable access to the appliance, during normal working hours, Monday to Friday, 08:30 to 17:00.

GUARANTEE

This unit carries a comprehensive UK mainland 2 year warranty. The guarantee is in addition to, and does not diminish your statutory or legal rights.

The guarantee does not cover:

- Accidental damage, misuse or use not in accordance with the manufacturer's instructions
- Consumable items (such as filters, glass, bulbs, slot toaster elements and door seals.)
- Damage due to incorrect installation, modification, unauthorised service work or damage due to scale, food debris build-up, etc.

The manufacturer disclaims any liability for incidental, or consequential damages. Attendance is based on reasonable access to the appliance to allow the authorised technician to carry out the warranty work.

Service calls to equipment under warranty will be carried out in accordance with the conditions of sale. Unless otherwise specified, a maximum of 15 minutes of administrative time, not spent directly carrying out servicing work, is provided for within the warranty. Any requirement for staff attending the call to spend greater time than 15 minutes due to administrative requirements, such as on health and safety risk assessments, will be chargeable at the prevailing rate.