

## Kitchen Furniture

*A comprehensive range of benches, sinks and wall cupboards from Lincat, the leading UK manufacturer of commercial catering equipment.*

### Wall Benches & Centre Tables



L6512CT

L6009WB

- Quick and simple to assemble
- Undershelves for maximum storage space
- Sound deadening design
- High quality 304 grade stainless steel work surfaces for hygiene and corrosion resistance
- Adjustable feet creating level working surface
- Wall benches are available in depths of 600 or 650mm

### Wall Cupboards



WL4

WL6

WL7

- Stainless steel construction
- Large capacity and a range of sizes
- Additional shelves available

### Sink Units & Wash Basins



L884LH

- Front valance ensures ease of cleaning
- Sound deadening pads under bowls and drainer
- Available with double or single tank and left or right hand drainer
- Tap location - accepts 12mm pillar or mixer taps (not supplied)
- 38mm waste outlet, plug, chain and overflow
- 250mm deep bowls



HWB1

- Constructed from easy to clean type 304 stainless steel
- Tap location - accepts 12mm pillar taps (not supplied)
- Waste outlet, plug, chain and overflow
- 105mm deep bowl

### Wall Shelves



SSH9

- Four width sizes
- Manufactured from grade 430 stainless steel
- Supplied complete with brackets

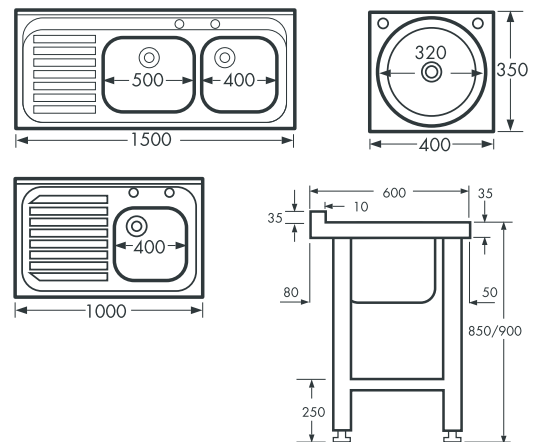
## Technical Specifications

Model	Description	External Dimensions
		HxD (mm)
<b>WL4</b>	<b>Single wall cupboard</b>	<b>600x450x300</b>
<b>WL6</b>	<b>Double wall cupboard</b>	<b>600x600x300</b>
<b>WL7</b>	<b>Double wall cupboard</b>	<b>600x750x300</b>
<b>WL9</b>	<b>Double wall cupboard</b>	<b>600x900x300</b>
<b>SSH9</b>	<b>Shelves</b>	<b>900x300</b>
<b>SSH12</b>	<b>Shelves</b>	<b>1200x300</b>
<b>SSH15</b>	<b>Shelves</b>	<b>1500x300</b>
<b>SSH18</b>	<b>Shelves</b>	<b>1800x300</b>
<b>L6506CT</b>	<b>Centre table</b>	<b>900x600x650</b>
<b>L6509CT</b>	<b>Centre table</b>	<b>900x900x650</b>
<b>L6512CT</b>	<b>Centre table</b>	<b>900x1200x650</b>
<b>L6515CT</b>	<b>Centre table</b>	<b>900x1500x650</b>
<b>L6518CT</b>	<b>Centre table</b>	<b>900x1800x650</b>
<b>L6009WB</b>	<b>Wall bench 600 series</b>	<b>900x900x600</b>
<b>L6012WB</b>	<b>Wall bench 600 series</b>	<b>900x1200x600</b>
<b>L6015WB</b>	<b>Wall bench 600 series</b>	<b>900x1500x600</b>
<b>L6018WB</b>	<b>Wall bench 600 series</b>	<b>900x1800x600</b>
<b>L6506WB</b>	<b>Wall bench 650 series</b>	<b>900x600x650</b>
<b>L6509WB</b>	<b>Wall bench 650 series</b>	<b>900x900x650</b>
<b>L65012WB</b>	<b>Wall bench 650 series</b>	<b>900x1200x650</b>
<b>L65015WB</b>	<b>Wall bench 650 series</b>	<b>900x1500x650</b>
<b>L65018WB</b>	<b>Wall bench 650 series</b>	<b>900x1800x650</b>
<b>L881LH</b>	<b>Single sink unit, left hand drainer</b>	<b>900x1000x600</b>
<b>L881RH</b>	<b>Single sink unit, right hand drainer</b>	<b>900x1000x600</b>
<b>L884LH</b>	<b>Double sink unit, left hand drainer</b>	<b>900x1500x600</b>
<b>L884RH</b>	<b>Double sink unit, right hand drainer</b>	<b>900x1500x600</b>
<b>HWB1</b>	<b>Hand wash basin</b>	<b>105x400x350</b>

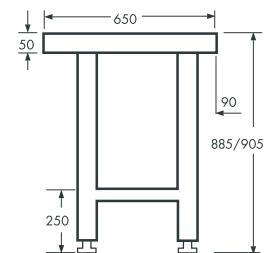
## Optional Accessories

- **WLS4** Additional shelf for single cupboard (WL4)
- **WLS6** Additional shelf for double cupboard (WL6)
- **WLS7** Additional shelf for double cupboard (WL7)
- **WLS9** Additional shelf for double cupboard (WL9)
- **TA49** Single pillar taps for handwash basin (HWB1)
- **TA64** Mixer taps for sink units

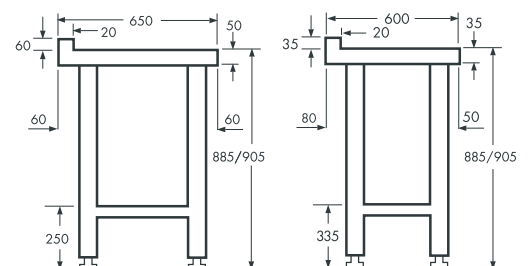
## Sink Units



## Centre Tables



## Wall Benches



You can choose Lincat products with confidence. All products in this leaflet are backed by the reassurance of a comprehensive UK twelve months parts and labour warranty.

### QUALITY GUARANTEED



**Lincat Limited, Whisby Road,  
Lincoln LN6 3QZ,  
United Kingdom**

UK Sales Tel: 01522 875500 UK Spares Tel: 01522 875510 UK General Tel: 01522 875555  
UK Fax: 01522 875530 International Sales Tel: +44 1522 503250 International Fax: +44 1522 875530  
Website: www.lincat.co.uk UK Sales e-mail: sales@lincat.co.uk International Sales e-mail: export@lincat.co.uk